

SZ01-ZN/EN-A07

DREAMER / 梦想家

Quick Start Guide

快速启动指南

中文 P18



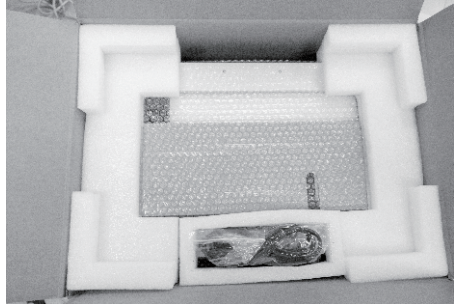
WARNING
注意事项

-
1. Do not remove the wrapping around the nozzle.
 2. Hot! Avoid touching the heating nozzle in operation.
 3. Moving parts in printer may cause injury. Do not wear gloves or other sources of entanglement in operation.
- 1.切勿去除包裹在喷嘴处的耐高温材料。
 - 2.高温危险！打印机喷嘴在工作时会被加热，操作时请避免接触！
 - 3.可动部件可能会造成卷入挤压和切割伤害。操作机器时请不要配带手套或缠绕物。
-

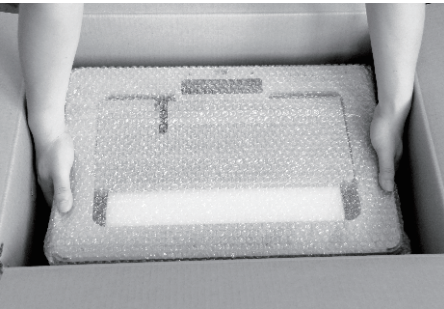
Unpacking



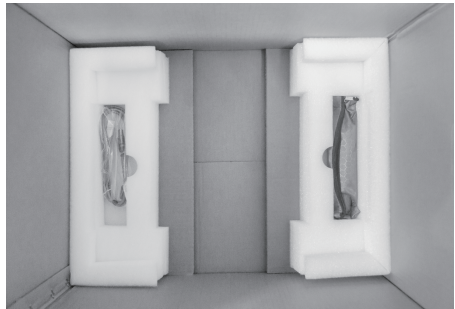
1. Open the carton and take out lid of top of the printer. On the lid, there is one quick start, one after-sales service, one SD card, one leveling card and two build tapes.



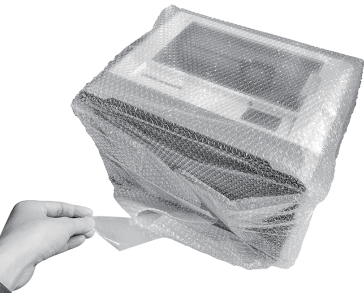
2. Take the power cable out. Remove two top foam sheets.



3. Lift the printer out of the carton.



4. You will find a tool bag and one USB cable.



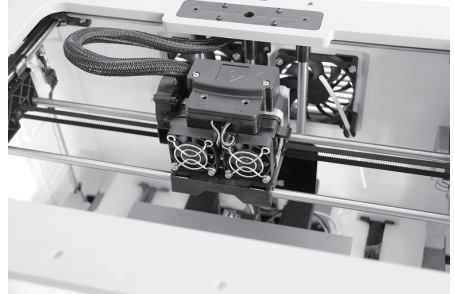
5. Tear off tapes at the printer bottom, remove bubble bag outside the printer.



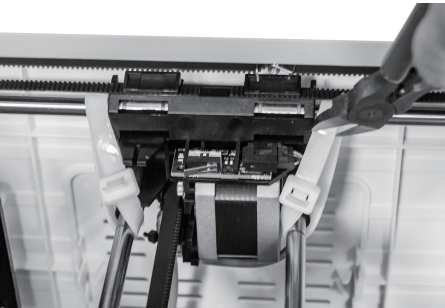
6. Take out the foam on the top of the printer.



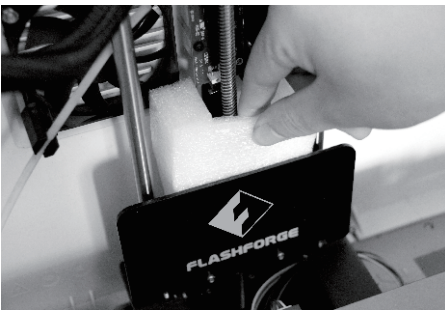
7. Open the paper box on the top of the printer, there is an extruder, two side panels and an extruder's accessory kit inside. Take the extruder and the paper box out, notice that the cable bunch connected with extruder is short, do not hang the extruder in the air.



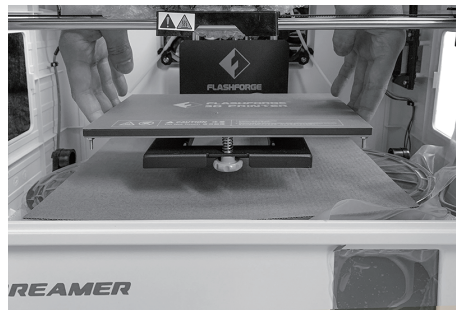
8. Remove bubble bag outside the extruder, put extruder on the extruder mounting base. Notice: The extruder should be put as is shown (extruder fan should towards the front of the printer)



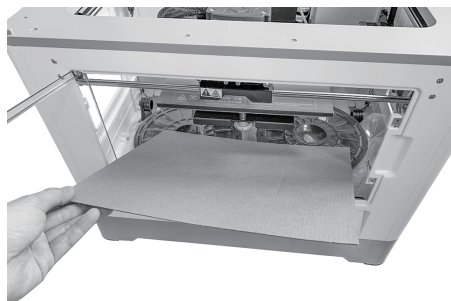
9. Shear three ties off on both sides of X-axis guide rod.



10. Remove the foam from the back of the logo board.



11. Hold both sides of the printer, lift up the printer slowly, thus removing filament under build plate easily. Do not make build plate collide with extruder.



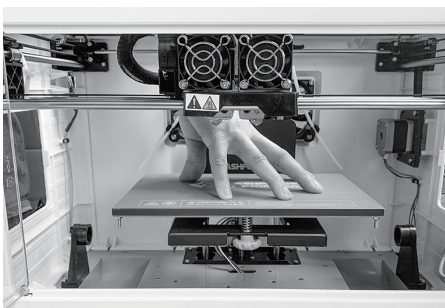
12. Take out the paper board.



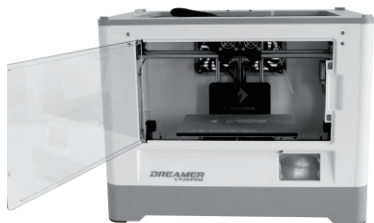
13. Take out filament first and then remove foam.



14. Notice: Do not miss either filament spool holder on two pieces of foam.

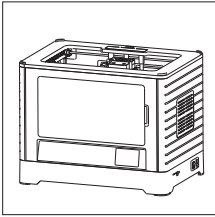


15. Finally press build plate slowly to printer bottom.

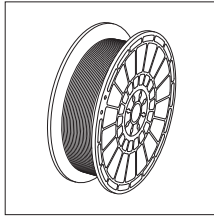


16. Dreamer unboxing completed.
Suggest keeping packing materials well for follow-up storage and shipping.

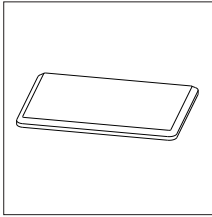
Kit Contents



3D Printer



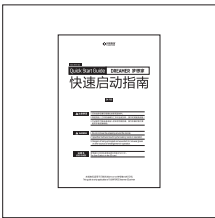
Filament Spool x 2



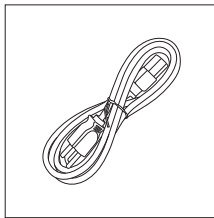
Lid



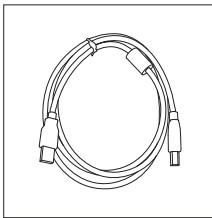
After-sales Service Card



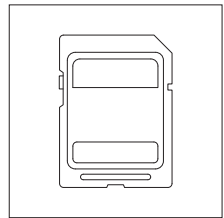
Quick Start Guide



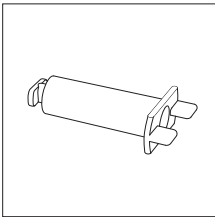
Power Cable



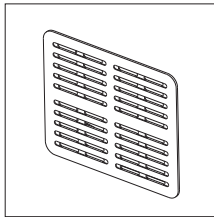
USB Cable



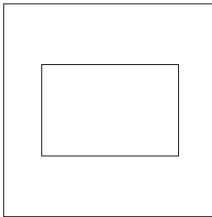
SD Card



Spool Holder x 2



Side Panel x 2



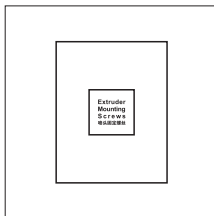
Tool Bag



Build Tape x 2



Leveling Card



Extruder's
Accessory Kit

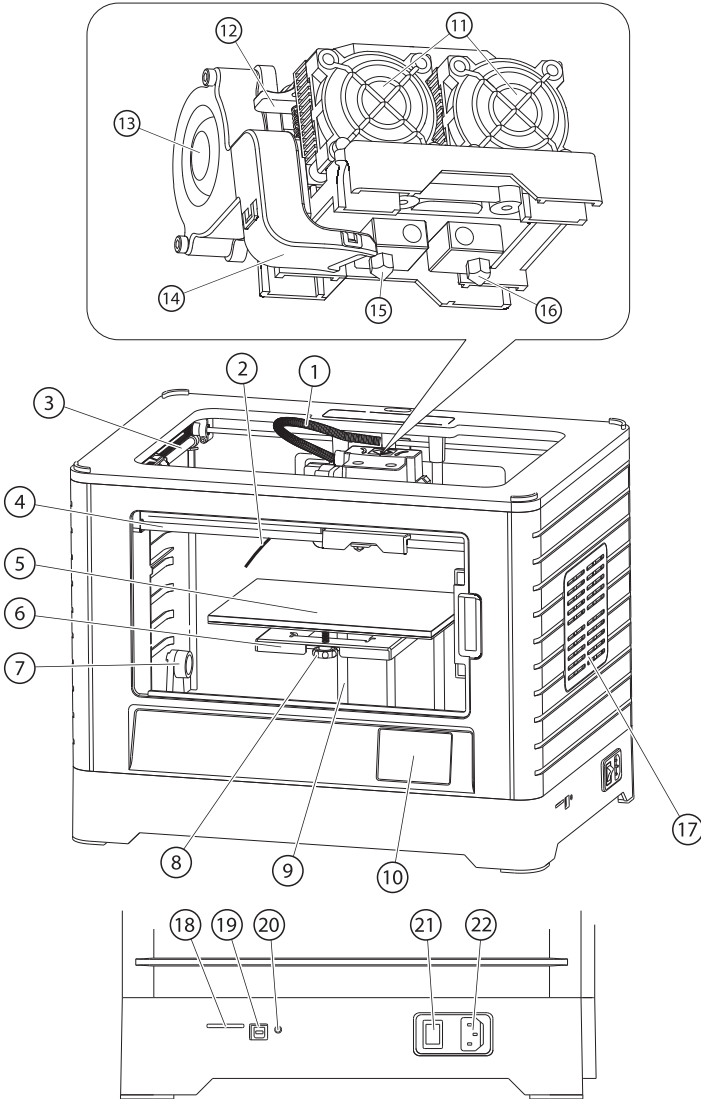
Tool Bag Contents:

Graver / Tweezer / Scraper / Accessories box (contents: Thumb screw / PTFE tubes*2 / M3x16 Bolt / Nut) / Tool bag (contents: Allen wrenches*2 / Phillips screwdriver / Unclogging pin tool / Wrench / Grease)

Extruder's Accessory Kit Contents:

M3x8 Bolts*2 / M3x6 Bolts / Turbofan baffle

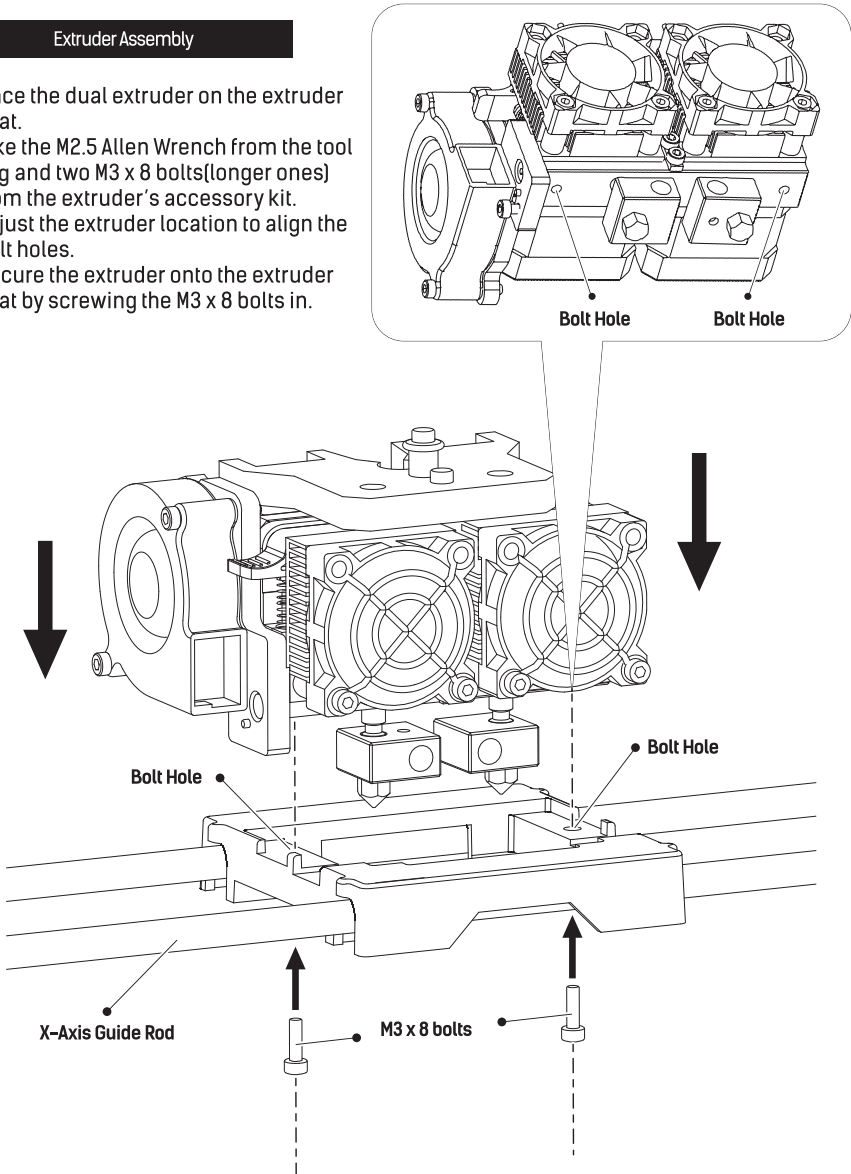
Getting to Know Your Dreamer



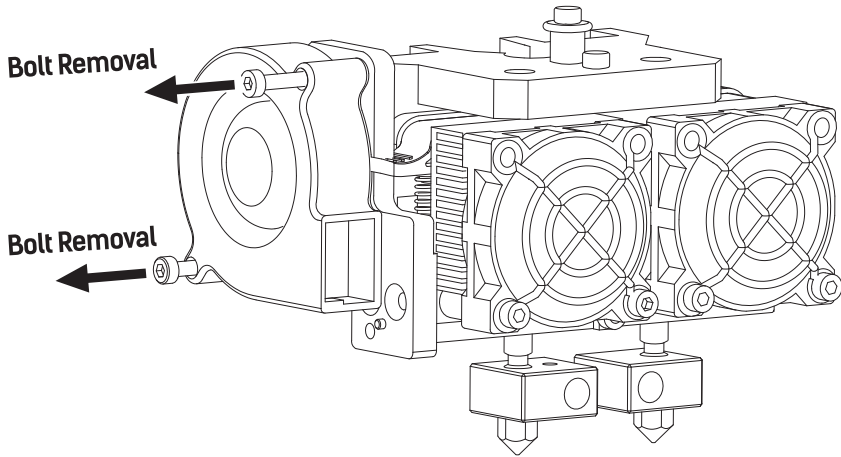
- | | | | |
|-------------------------|------------------------|---------------------|---------------------|
| 1. Extruder Cable Bunch | 2. Filament Guide Tube | 3. Y-Axis Guide Rod | 4. X-Axis Guide Rod |
| 5. Build Plate | 6. Platform Support | 7. Bracket | 8. Thumb Screw |
| 9. Z-Axis Guide Rod | 10. Touch Screen | 11. Cooling Fan | 12. Spring Presser |
| 13. Turbofan | 14. Turbofan Baffle | 15. Left Nozzle | 16. Right Nozzle |
| 17. Side Panel | 18. SD Card Slot | 19. USB Cable Input | 20. Reset Button |
| 21. Power Switch | 22. Power Input | | |

Extruder Assembly

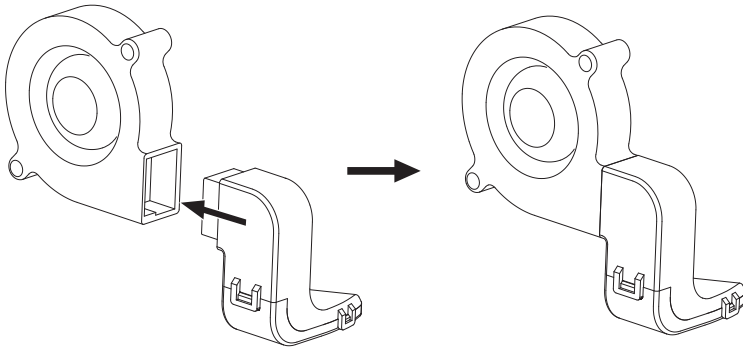
1. Place the dual extruder on the extruder seat.
2. Take the M2.5 Allen Wrench from the tool bag and two M3 x 8 bolts(longer ones) from the extruder's accessory kit.
3. Adjust the extruder location to align the bolt holes.
4. Secure the extruder onto the extruder seat by screwing the M3 x 8 bolts in.



Turbofan Baffle Assembly

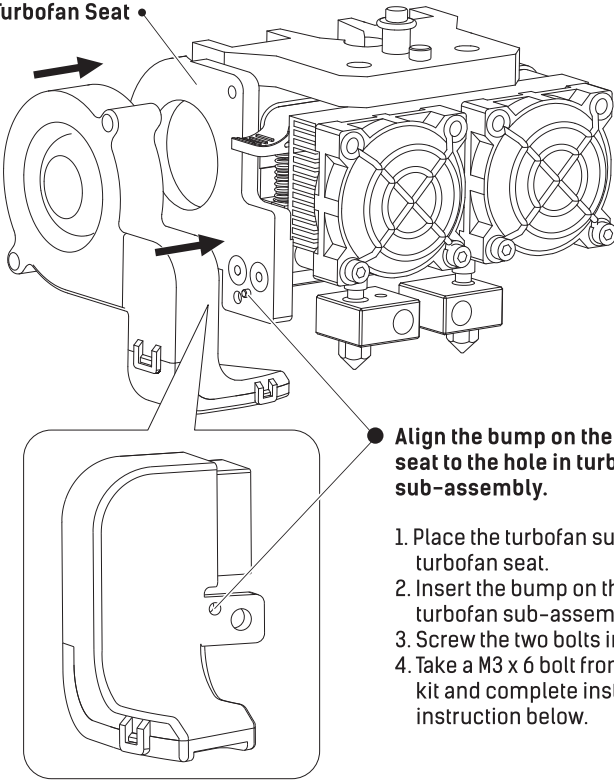


1. Use the M2.5 Allen Wrench to remove two turbofan bolts.



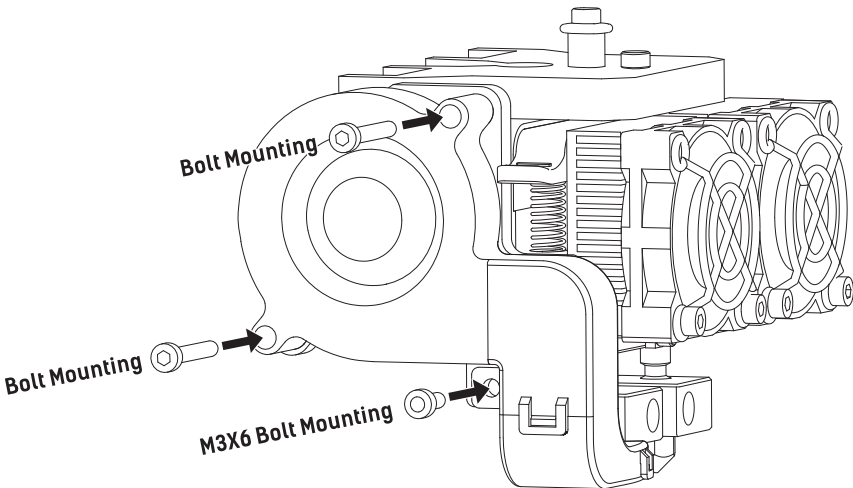
2. Take the turbofan baffle from the extruder's accessory kit.
3. Install the turbofan baffle to the turbofan.

Turbofan Seat •



• **Align the bump on the turbofan seat to the hole in turbofan sub-assembly.**

1. Place the turbofan sub-assembly beside the turbofan seat.
2. Insert the bump on the turbofan seat to the turbofan sub-assembly.
3. Screw the two bolts in.
4. Take a M3 x 6 bolt from the extruder's accessory kit and complete installation according to the instruction below.

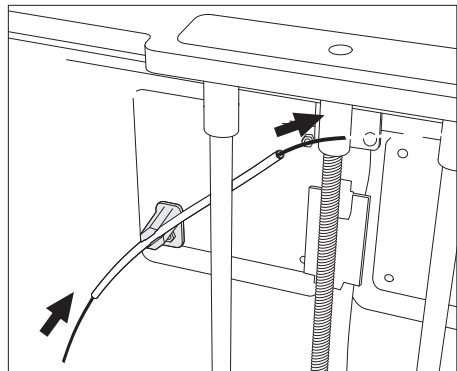
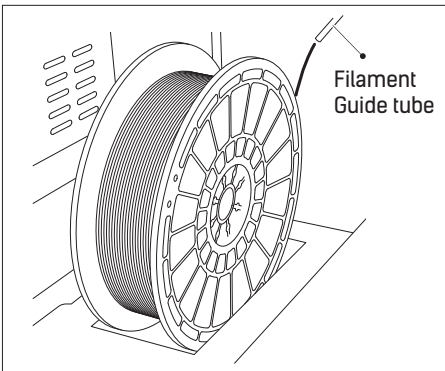
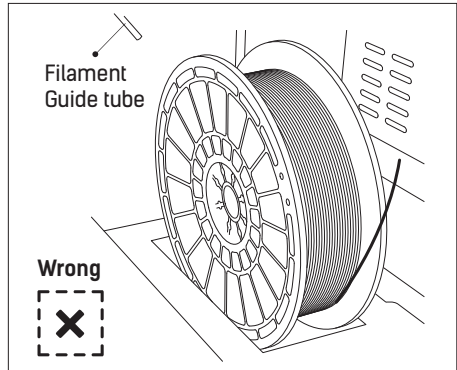
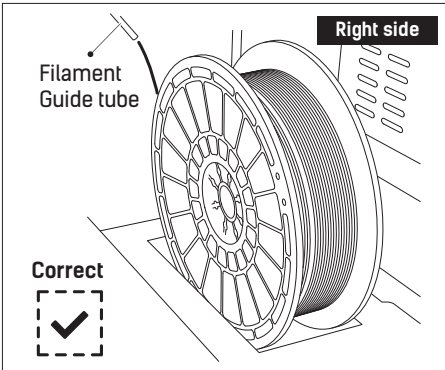
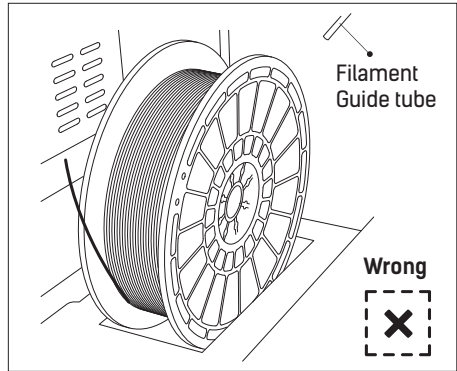
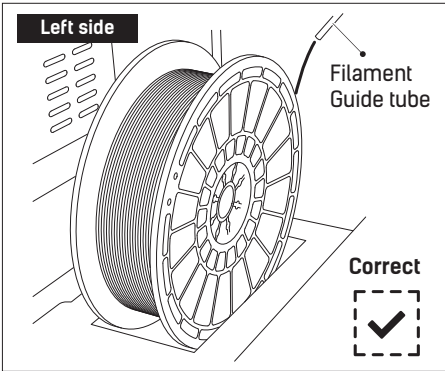


Install Filament

1. Take out the filament, remove vacuum packing and put it beside the left fixed seat of the build plate.

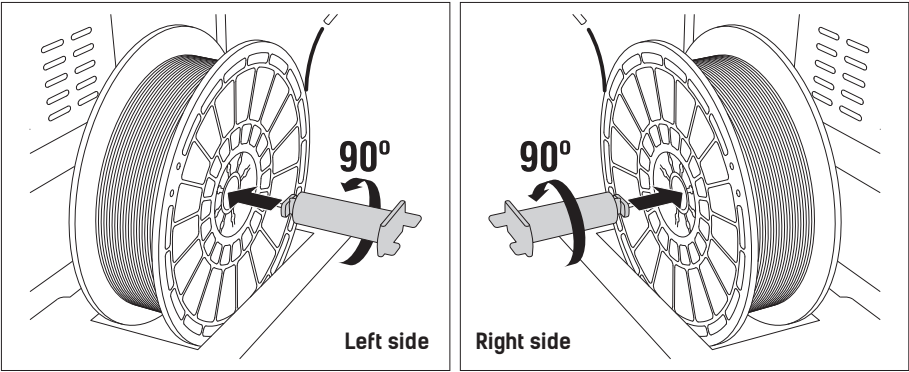


For putting filament through guide tube easily, please install filament in a proper way.



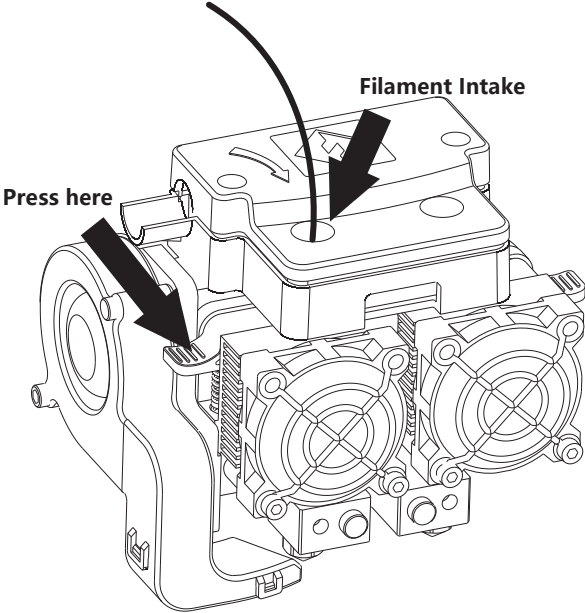
2. For putting PLA filament through guide tube easily, please install filament in a proper way.

3. Put filament through guide tube.



4. Take out filament spool holder. As is shown above, put spool holder through round hole, and insert it into fixed seat. Rotate the spool holder 90° to fix it.

**Attention: Lock filament on the left side, rotate spool holder anticlockwise 90°
 Lock filament on the right side, rotate spool holder clockwise 90°**



5. Press the left spring presser, put filament vertically into the left filament intake to the bottom.

Leveling

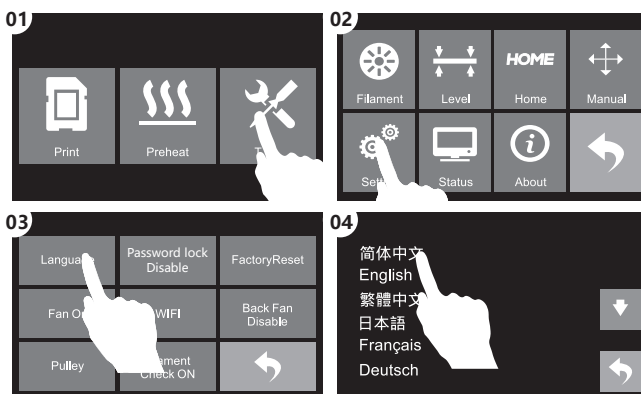


1. Take power cable out and plug it into power input on the right side of the printer.

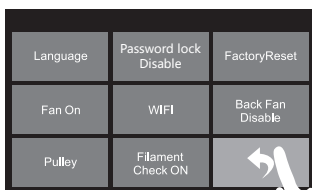


2. Plug the other end of power cable into socket turn on the power switch.

How to change language



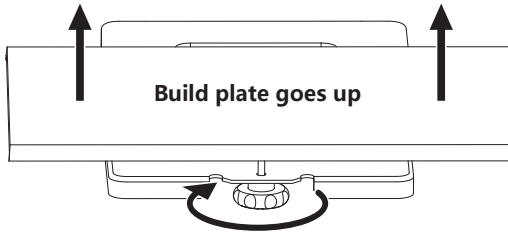
Follow steps above if you need to do language setting.



3. After language setting completed, tap return arrow to go back.

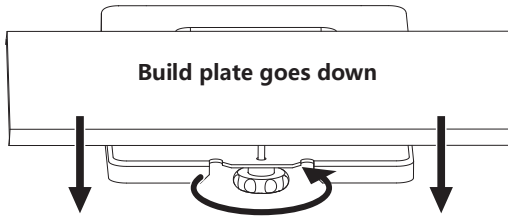
Before leveling, let's learn the function of thumb screw.

How to use the thumb screw



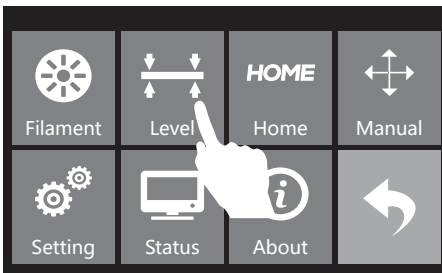
Rotate thumb screw clockwise

Raise the build plate to reduce the distance between the nozzle and build plate.

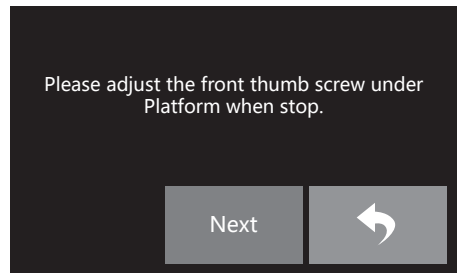


Rotate thumb screw anticlockwise

Lower the build plate to increase the distance between the nozzle and build plate.

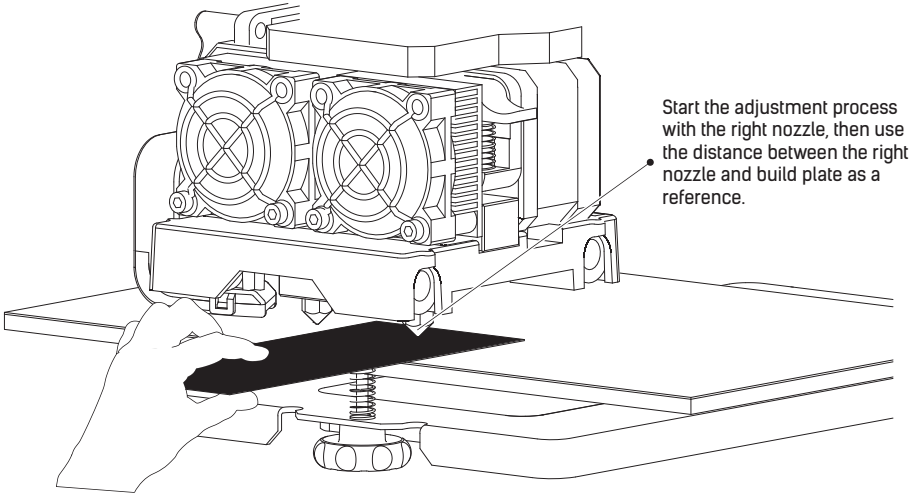


4. Tap [Level].



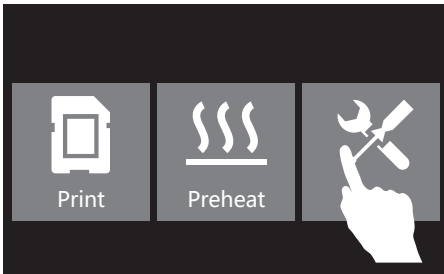
5. Extruder starts to move to the first leveling point. When moving stops, level the first leveling point.

Attention: Leveling would affect print effect directly, if print result is unsatisfactory, please do leveling again.

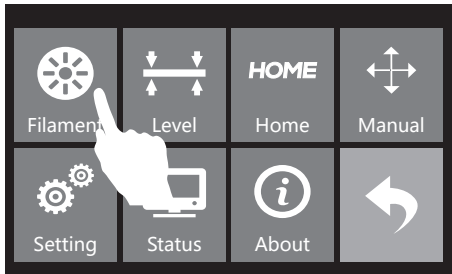


6. Take leveling card out, on the basis of right side extruder, put leveling card between right nozzle and build plate. Slide leveling card back and forth and adjust thumb screw in the meantime.
 - If you can move leveling card easily, please rotate thumb screw clockwise to reduce the distance between build plate and nozzle. Otherwise, rotate thumb screw anticlockwise to increase the distance between build plate and nozzle.
 - If you feel slight friction sensitivity when moving leveling card, the distance between extruder and leveling card is proper, thus adjustment completed.
7. After the first leveling point completed, tap [Next]. The extruder will move to the second leveling point. Adopt same method to adjust. After three leveling points (above thumb screw of three leveling points) completed all, leveling completed. Tap [Finish] to end leveling process, tap return arrow to go back to home screen.
8. Press build plate slowly to printer bottom.

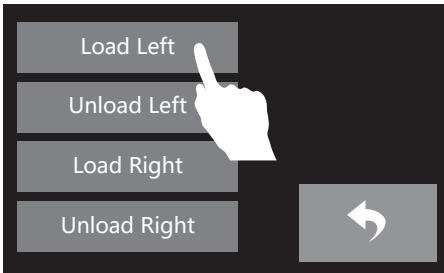
Filament Loading



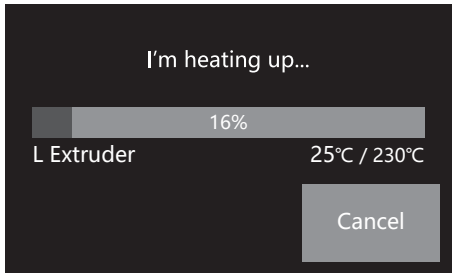
1. Tap [Tools].



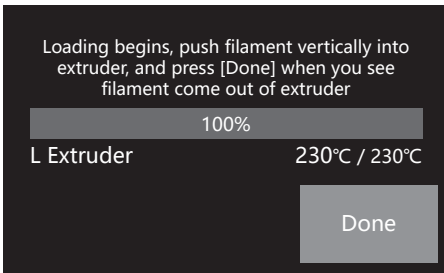
2. Tap [Filament].



3. Tap [Load Left].



4. Extruder starts to heat.



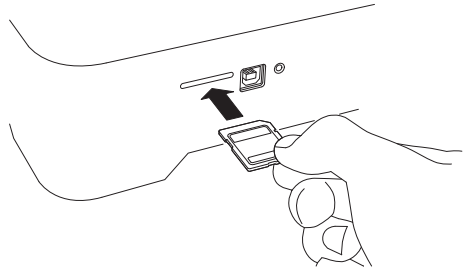
5. Once heated, filament will be drawn through the extruder. Continue extruding until the extruder provides a steady flow of filament. Tap [Done], go back. Tap return arrow to go back to home screen.

Attention: If extruder can not unload in a long time, please check if you have inserted filament into the bottom of extruder.

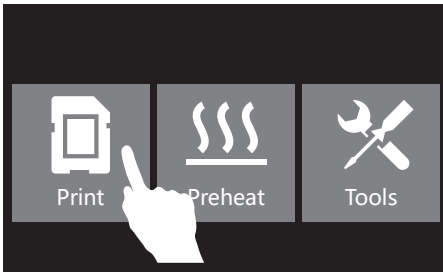
First Print

Suggestions

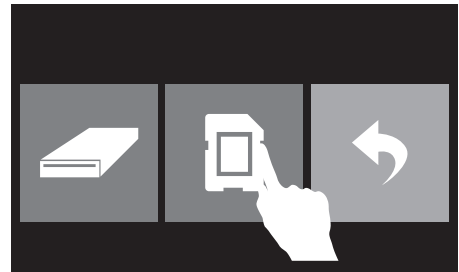
1. Ensure that the build plate has been leveled before printing.
2. Ensure that the filament has been loaded in an appropriate approach.
3. Load the filament for a while to extrude all the melted filament you printed last time out of the extruder.
4. Print with ABS filament, install top cover, close the front door. Print with PLA filament, remove top cover, open the front door.
5. Please clean extruder before printing.
6. Do not leave the printer unattended during operation.



1. Insert SD card into SD card slot on the right side of the printer.



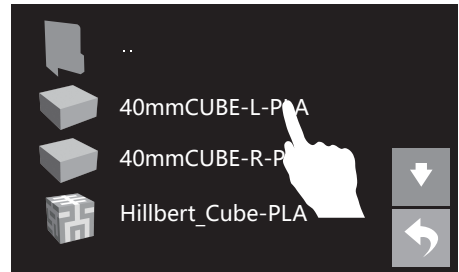
2. Tap [Print].



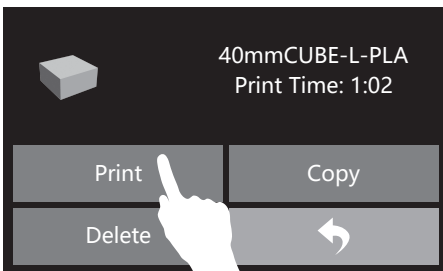
3. Tap [SD card].



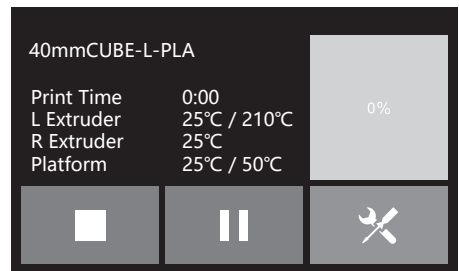
4. Tap [Test Files].



5. Choose [40mmCUBE-L-PLA].



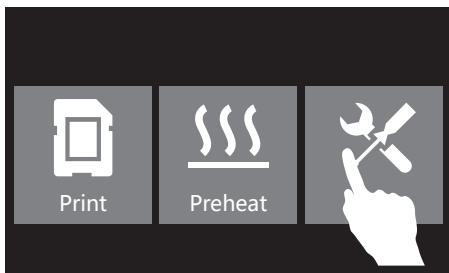
6. Tap [Print].



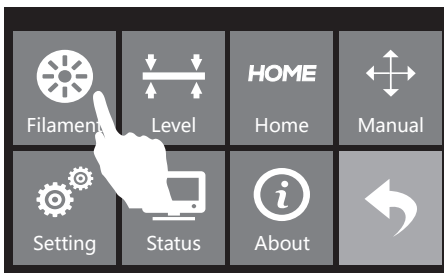
7. The extruder starts to heat, once heated, the printer will start to print.

Unloading Filament

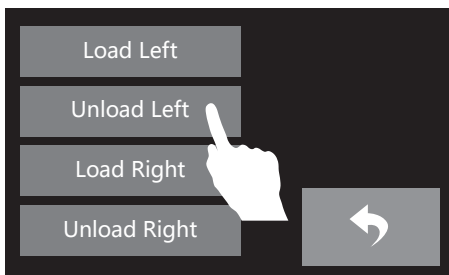
Please follow steps below if you need to unload filament in daily use.



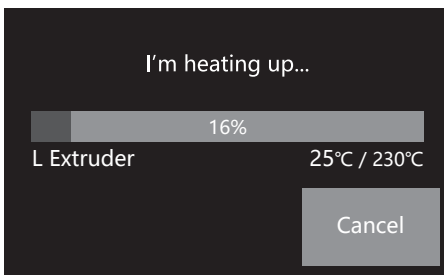
1. Tap [Tools].



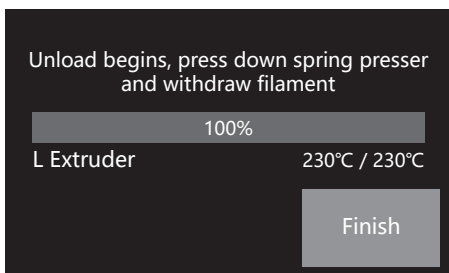
2. Tap [Filament].



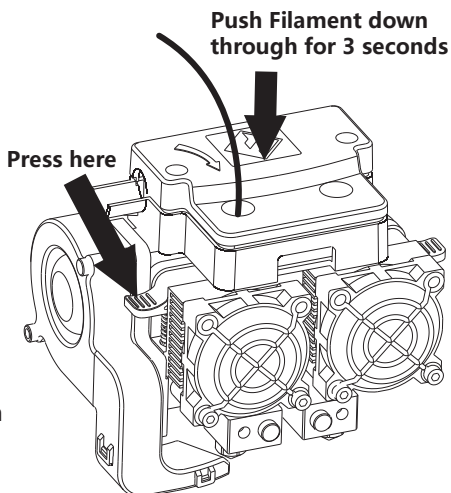
3. Tap [Unload Left (or right)].

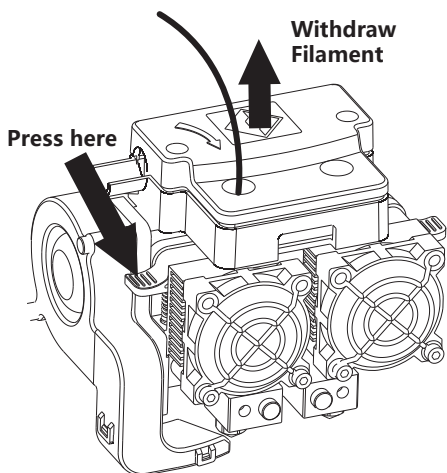


4. Extruder starts to heat.



5. When heating to target temperature, press spring presser and push filament down through for 3 seconds, until you see steady filament coming out from nozzle.



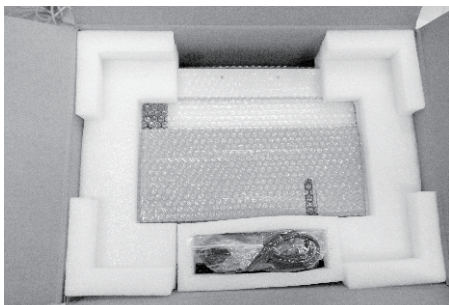


6. Then pull out vertically quickly and release spring presser.
Tap [Finish], go back. Tap return arrow to go back to home screen.

开箱



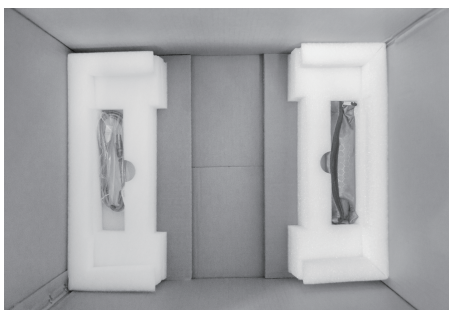
1. 打开纸箱取出顶部的打印机顶罩。顶罩上放有一本快速启动指南、一份售后服务卡、一张SD卡、一张调平卡片和两张平台贴纸。



2. 取出电源线和顶部两侧的泡沫。



3. 从纸箱中取出打印机。



4. 在箱子底部还有USB线和工具袋。



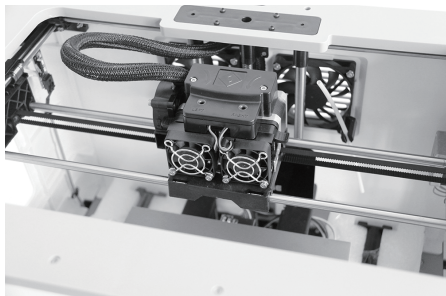
5. 撕开打印机底部的胶带，去除包裹打印机的气泡袋。



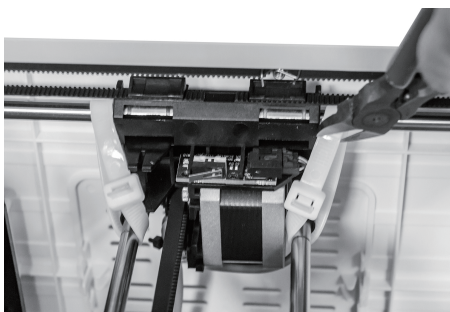
6. 取出打印机顶部的泡沫。



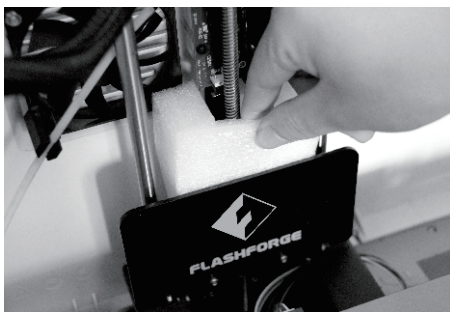
7. 打开打印机顶部的纸盒，纸盒中装有喷头、两块机身侧窗盖板和一个喷头安装包。取出喷头并取出喷头纸盒，注意连接喷头的束线管较短，不要让喷头悬挂在空中。



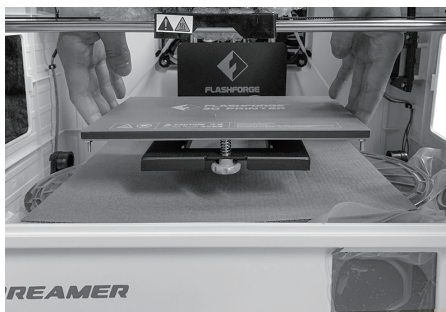
8. 去除包裹喷头的气泡袋，将喷头放置在安装喷头的中塑件上。注意，喷头的摆放位置应当如图所示（喷头散热风扇应当朝向打印机前方）。



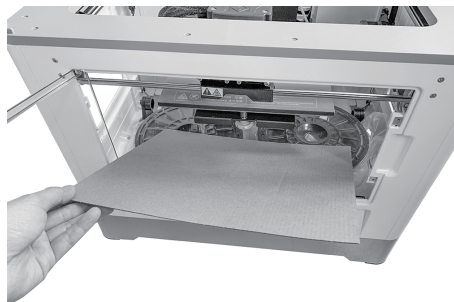
9. 剪断X轴两侧的扎带，一共三根。



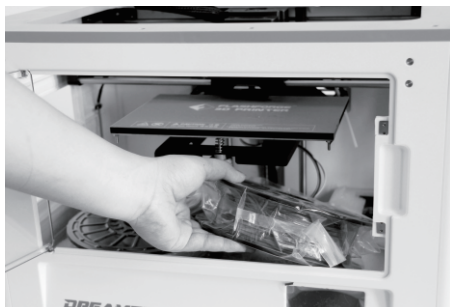
10. 取出logo板背后的泡沫块。



11. 双手托住打印平台两侧，缓缓抬起打印平台，以便于取出打印平台下方的耗材。注意不要让打印平台与喷嘴相碰。



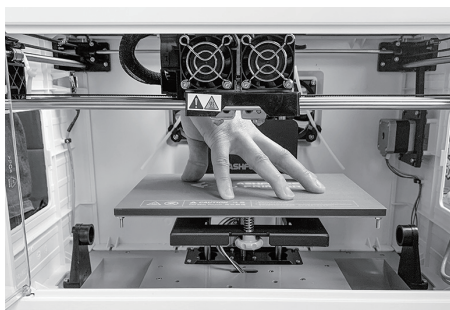
12. 打开前门，取出纸板。



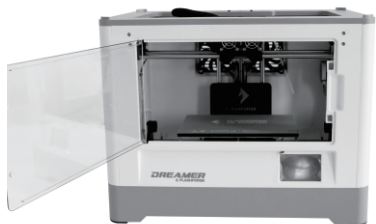
13. 先取出打印耗材，然后取出下方的泡沫。



14. 注意，在两块泡沫上各有一个丝盘轴，请勿遗漏。

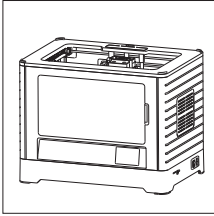


15. 最后缓缓将打印平台下压至打印机底部。

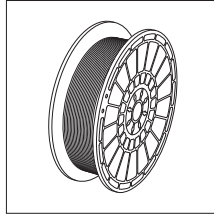


16. 梦想家开箱完成。建议保存好这些包装材料，以便于后续的存放或运输。

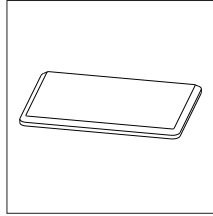
装箱物品



3D打印机



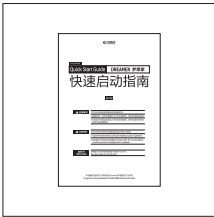
3D打印耗材 x 2



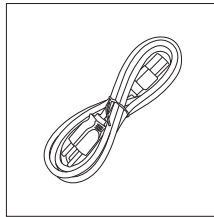
顶罩



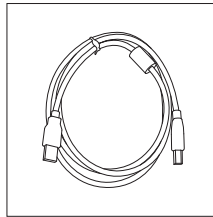
售后服务卡



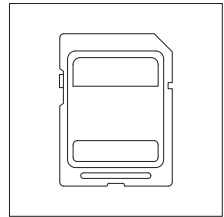
快速启动指南



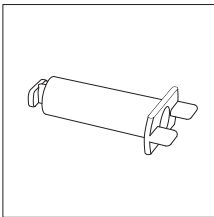
电源线



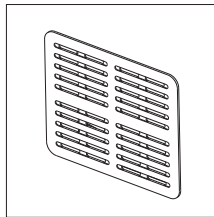
USB线



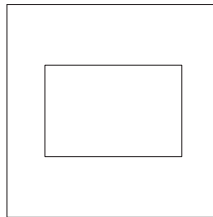
SD卡



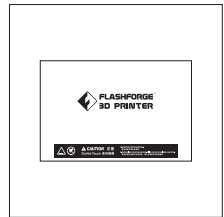
丝盘轴 x 2



侧窗板 x 2



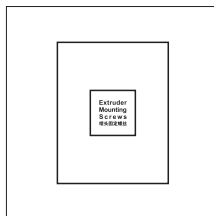
工具袋



平台贴纸 x 2



调平卡片



喷头安装包

工具袋内含：

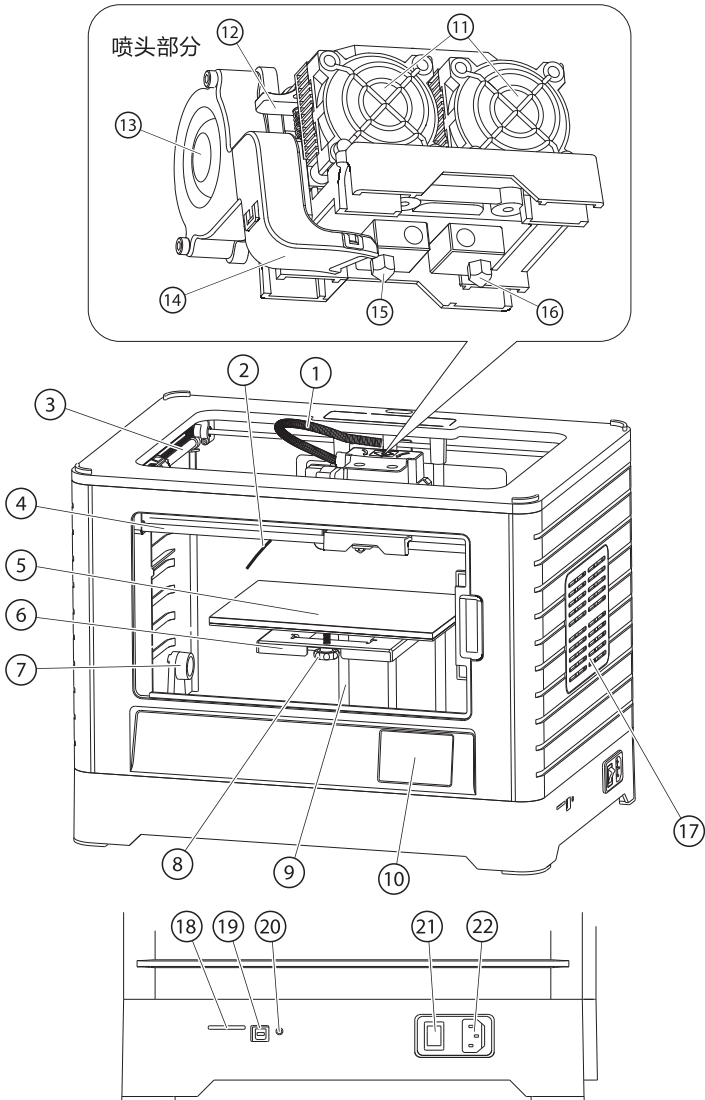
刻刀 / 镊子 / 铲刀 / 零件盒（内含：一颗调平螺母、两根聚四氟管、一颗M3*16螺丝和一颗螺母）

工具包（内含：两把内六角扳手、一把十字螺丝刀、一根通针、一把扳手和一袋润滑脂）

喷头安装包内含：

M3*8规格螺丝两颗 / M3*6规格螺丝一颗 / 导风嘴部件

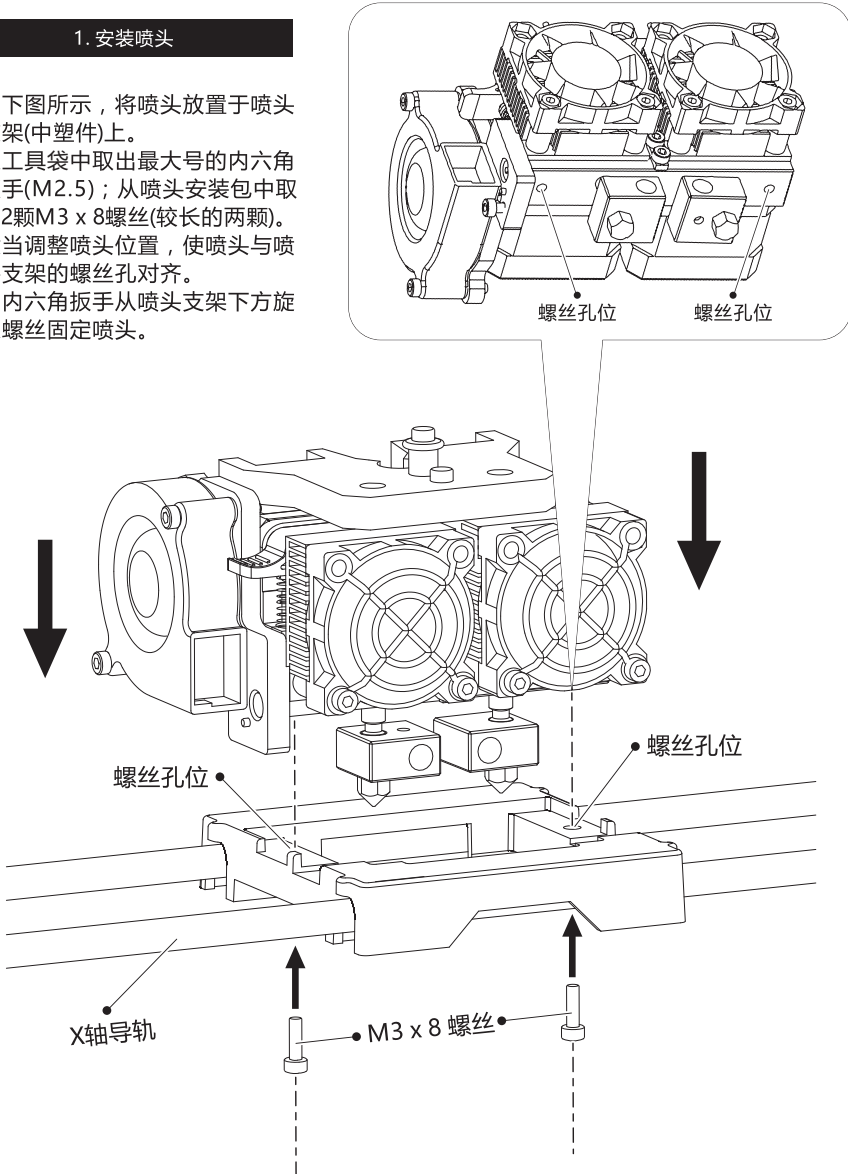
部件介绍

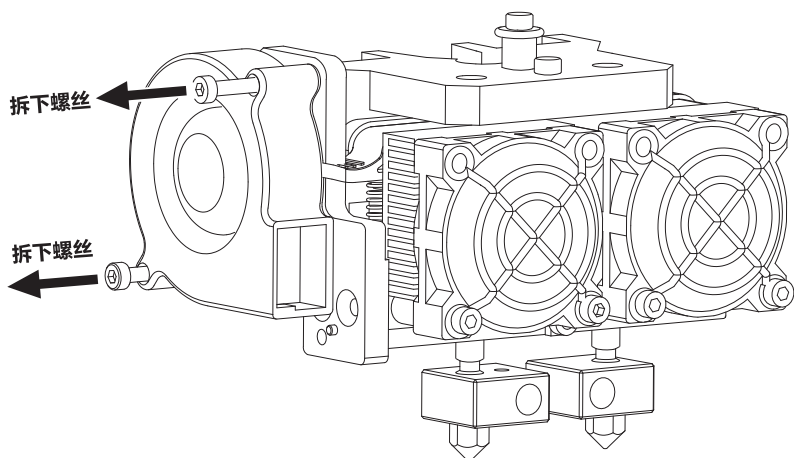


- | | | | | |
|------------|-----------|-----------|------------|-----------|
| 1. 喷头线束 | 2. 导丝管 | 3. Y轴导轨 | 4. X轴导轨 | 5. 打印平台 |
| 6. 平台支架 | 7. 丝盘轴固定座 | 8. 调平螺母 | 9. Z轴导轨 | 10. 触摸屏 |
| 11. 喷头散热风扇 | 12. 进丝压板 | 13. 涡轮风扇 | 14. 导风嘴 | 15. 左喷头喷嘴 |
| 16. 右喷头喷嘴 | 17. 侧窗板 | 18. SD卡插槽 | 19. USB线接口 | 20. 复位键 |
| 21. 电源开关 | 22. 电源线接口 | | | |

1. 安装喷头

1. 如下图所示，将喷头放置于喷头支架(中塑件)上。
2. 从工具袋中取出最大号的内六角扳手(M2.5)；从喷头安装包中取出2颗M3 x 8螺丝(较长的两颗)。
3. 适当调整喷头位置，使喷头与喷头支架的螺丝孔对齐。
4. 用内六角扳手从喷头支架下方旋入螺丝固定喷头。

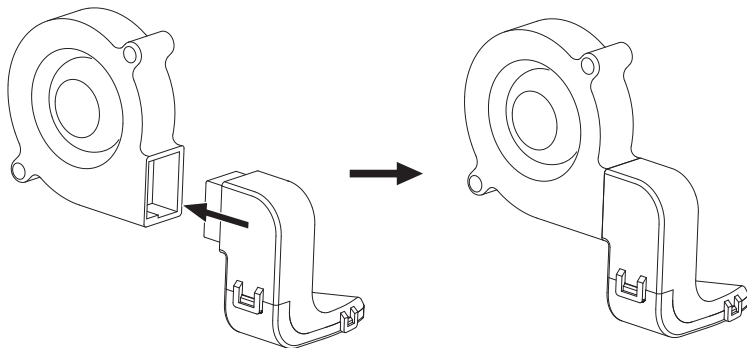




2. 安装导风嘴

注意：连接涡轮风扇的电线较短，拆卸及安装导风嘴时请注意。

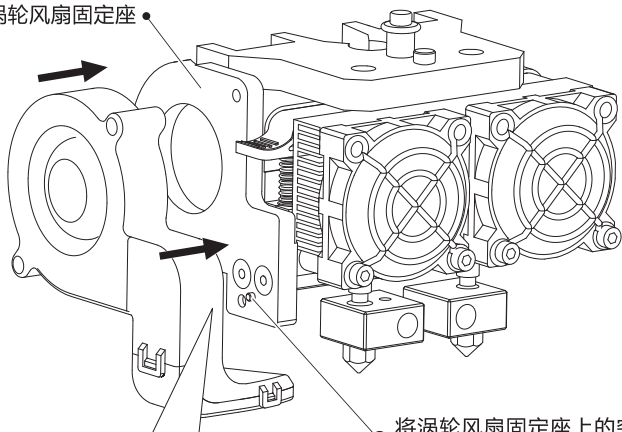
1. 如上图所示，使用M2.5内六角扳手拆下固定涡轮风扇的两颗螺丝。
2. 从喷头安装包中取出导风嘴部件。如下图所示，将导风嘴部件装入涡轮风扇。



安装导风嘴

完整的涡轮风扇

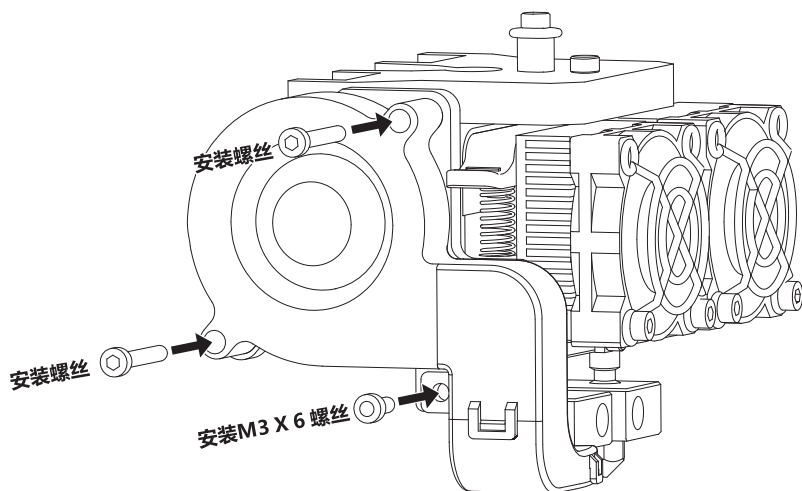
涡轮风扇固定座



将涡轮风扇固定座上的突起
对准导风嘴上对应的小孔

1. 将完整的涡轮风扇重新放置于喷头左侧，
准备用螺丝固定。
2. 如左图所示，请确保涡轮风扇固定座上的
突起对准导风嘴上的小孔。
3. 如下图所示，将先前拆下的2颗螺丝原样装回。
4. 从喷头安装包中取出M3 x 6螺丝(剩下的一颗)，
装入图中所示位置。

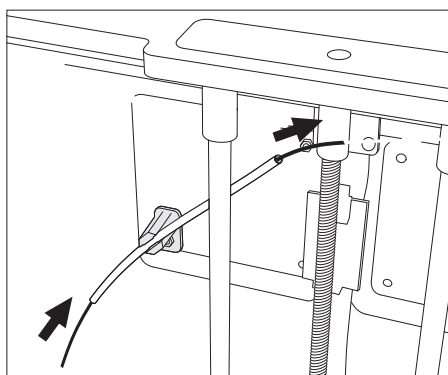
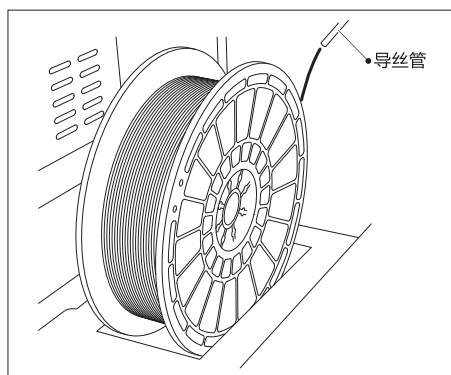
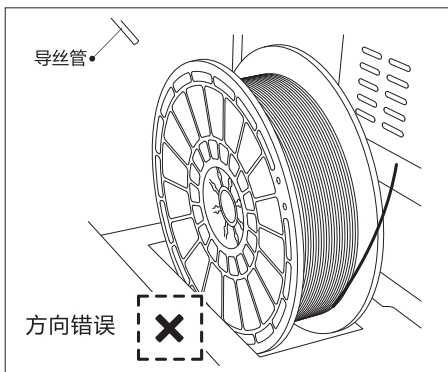
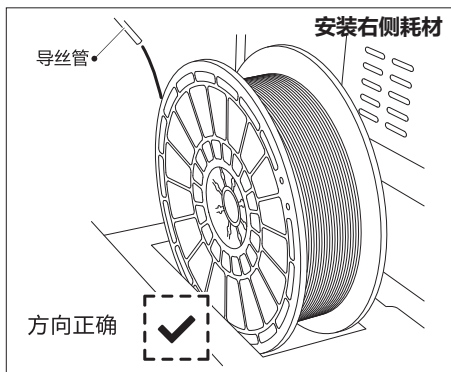
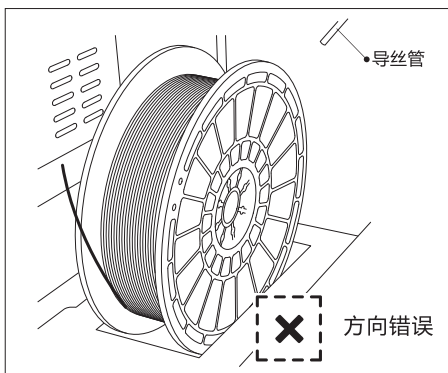
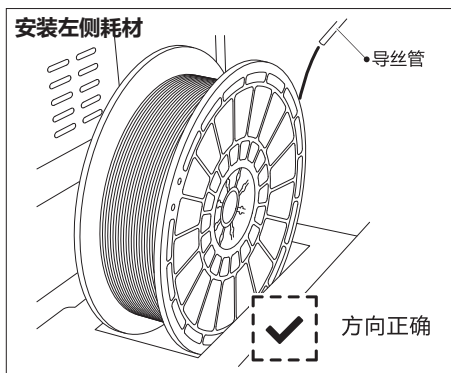
到此喷头部分安装完成。



3. 安装耗材

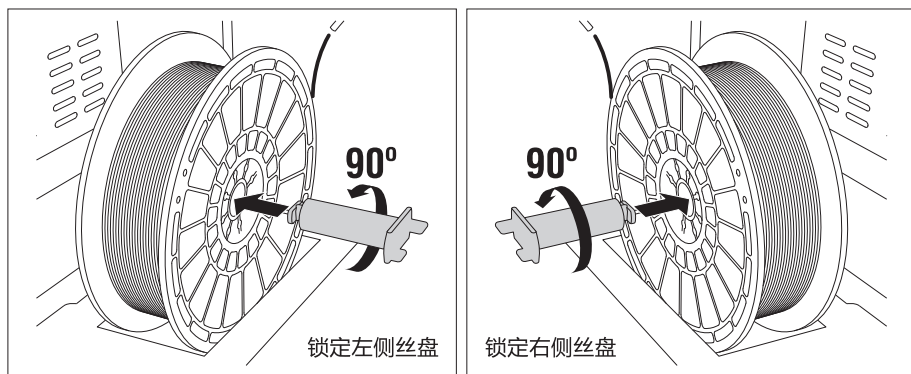
1. 取出耗材，去除真空包装后放入打印平台左侧的丝盘轴固定座旁。

! 为了方便耗材穿过机身内部的导丝管，请确保耗材的安装方向正确。



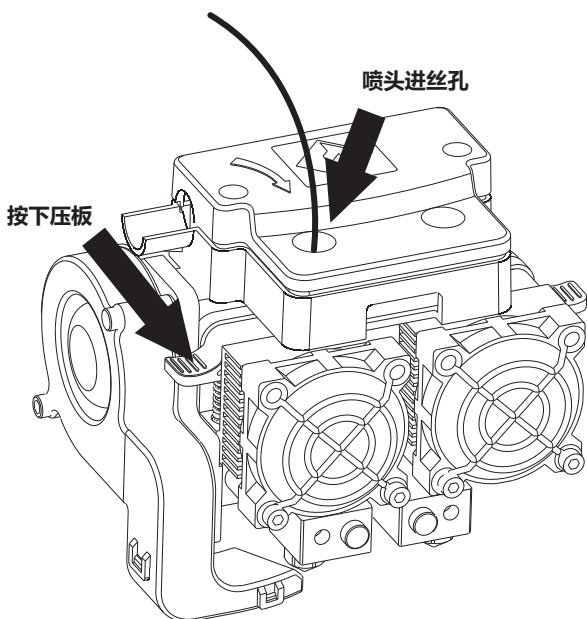
2. 将PLA耗材丝盘安装在打印机左侧，然后将耗材穿入导丝管。

3. 让耗材从导丝管穿出。



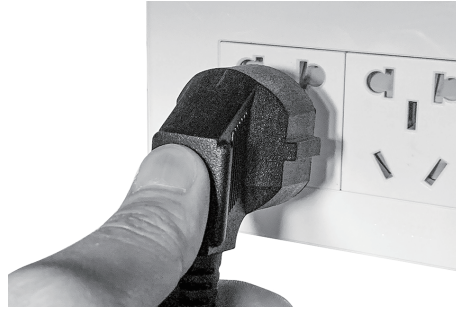
4. 取出丝盘轴，如下图所示，将丝盘轴穿过耗材丝盘中间的圆孔后插入丝盘固定座。将丝盘轴旋转90度将其锁定。

注意：锁定左侧耗材时，请将丝盘轴逆时针旋转90度；
锁定右侧耗材时，请将丝盘轴顺时针旋转90度。



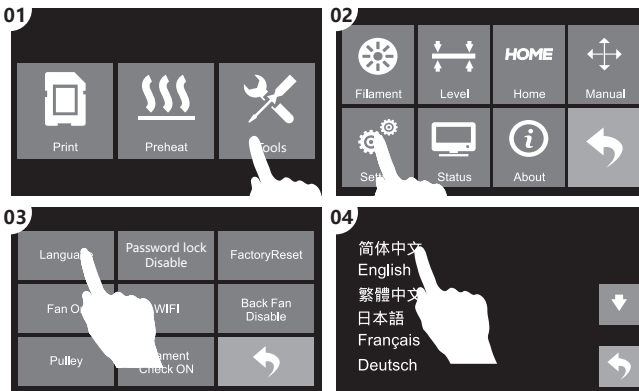
5. 按下左喷头一侧的压板，将从导丝管另一头穿出的耗材垂直插入喷头进丝孔中，直到耗材无法继续插入。

调平



1. 取出电源线，插入打印机右侧的电源接口中。
2. 将电源线的另一头插入电源插座。按下电源线接口旁边的电源开关开机。

如何将液晶屏语言设置为中文



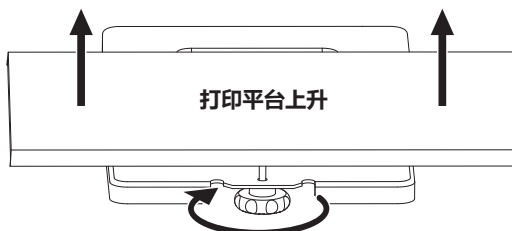
梦想家在出厂时默认操作语言为英文，请根据以上步骤切换至中文：在触摸屏上依次点击 [Tools]、[Setting]、[Language]、[简体中文]。语言设置完成后，点击返回键返回上一界面。



3. 语言设置完成后，点击返回键返回上一界面。

在调平开始前，让我们先了解一下调平螺母的作用。

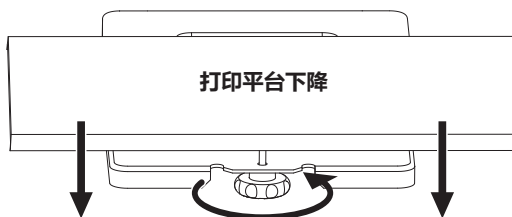
如何通过调平螺母调节打印平台



打印平台上升

顺时针旋转螺母

打印平台上升，喷嘴与平台之间间距变小



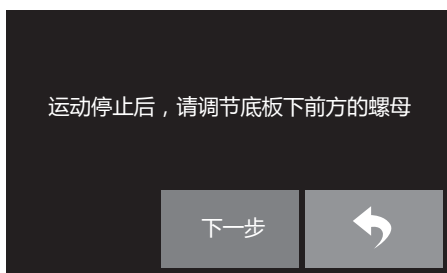
打印平台下降

逆时针旋转螺母

打印平台下降，喷嘴与平台之间间距变大

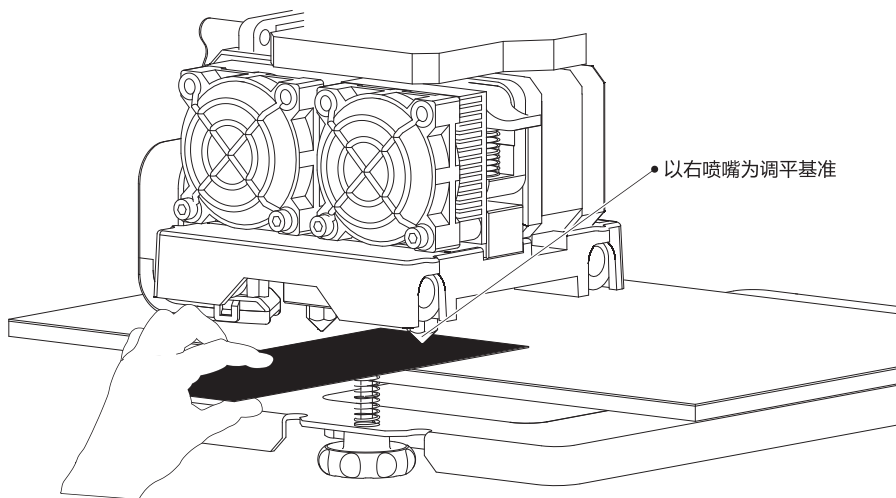


4. 点击[调平]开始调平程序。



5. 喷头开始向第一个调平点移动，运动停止后开始调平操作。

注意：调平效果会直接影响到打印效果，如果打印效果不理想，请再次对平台进行调平。



6. 取出调平卡片，以右侧喷嘴为基准，将调平卡片放入右喷嘴与打印平台之间。一手调节调平螺母，一手来回滑动调平卡片感受摩擦力。
 - 若卡片可以轻松抽动则表示喷嘴与平台的间距过大，需要顺时针旋转下方的调平螺母来缩小平台与喷嘴的间距。
 - 若抽动卡片时阻力较大，表示喷嘴与平台的间距过小，需要逆时针旋转下方的调平螺母来增大平台与喷嘴的间距。
 - 若抽动卡片时感到有轻微的摩擦感，表明此时喷嘴与平台的间距比较合适，可以停止调节。
7. 第一个点调平完成后，按[下一步]，喷头会移动到第二个调平点上方。采用同样的方法对该点进行调节。以此类推，当三个调平点都调平完成后（三个调平螺母上方），调平完成，点击[完成]结束调平程序，按返回键返回首界面。
8. 将打印平台缓慢地压回打印机底部。

填装耗材



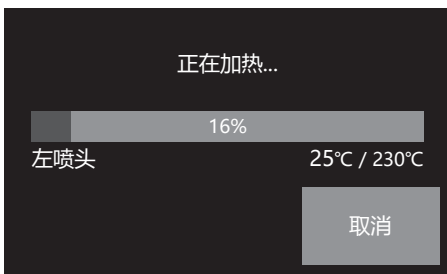
1. 点击[工具]。



2. 点击[换丝]。



3. 点击[左喷头进丝]。



4. 喷头开始加热。



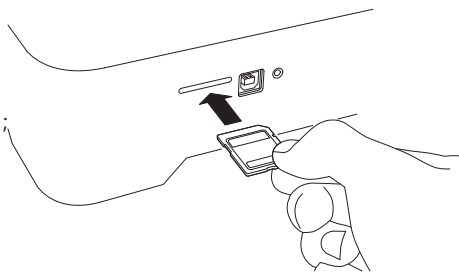
5. 喷头加热到预定温度后开始进丝，看到喷嘴开始出丝时请勿立即停止进丝，直到耗材均匀出丝为止。点击[完成]返回上一界面，然后点击返回键返回首界面。

注意：若长时间喷头未出丝，请检查填装耗材时是否正确将耗材插入喷头底部。

首次打印

打印建议

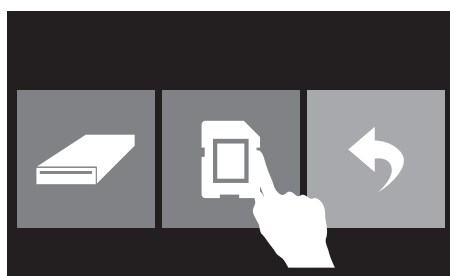
1. 打印开始前请确保打印机已经完成调平；
2. 打印开始前确保耗材安装正确，没有打结或卡住；
3. 喷头内可能残留有少量耗材，请进丝一段时间，确保上一次打印的耗材已经全部挤出；
4. 使用ABS耗材打印时，请装上顶罩，关闭前门；
使用PLA耗材打印时，请移除顶罩，打开前门；
5. 打印开始前请将喷头耗材清理干净；
6. 不可在长时间无人看守的情况下使用3D打印机；



1. 取出SD卡，将SD卡插入打印机右侧的SD卡插槽中。



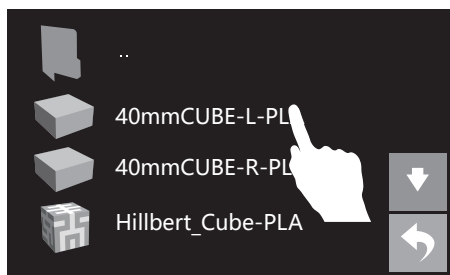
2. 在触摸屏上点击[打印]。



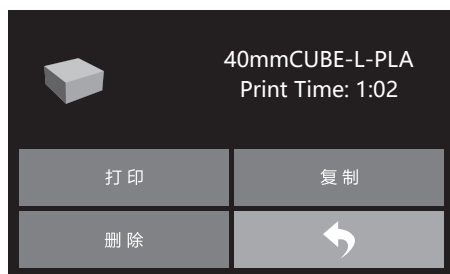
3. 点击[SD卡]。



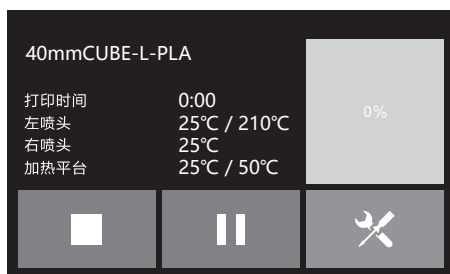
4. 点击[Test File测试文件]。



5. 选择[40mmCUBE-L-PLA]测试模型。



6. 点击[打印]。



7. 喷头和打印平台开始加热，加热到预定温度后开始打印。

退丝操作

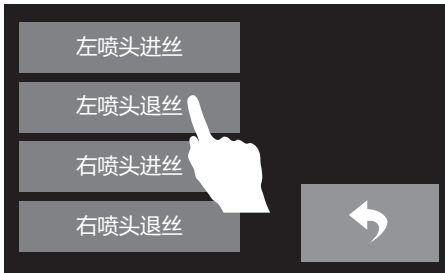
在日常使用中，如果需要更换耗材，建议按下列步骤操作。



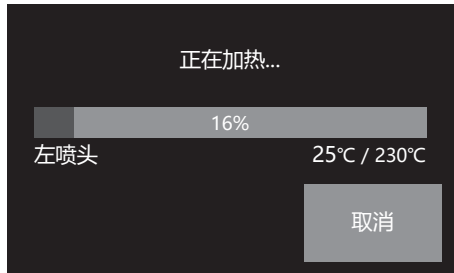
1. 点击[工具]。



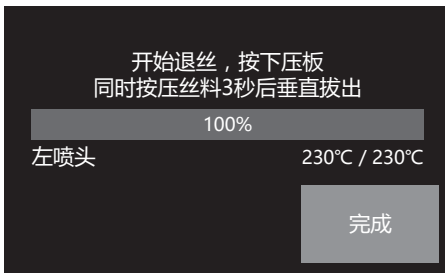
2. 点击[换丝]。



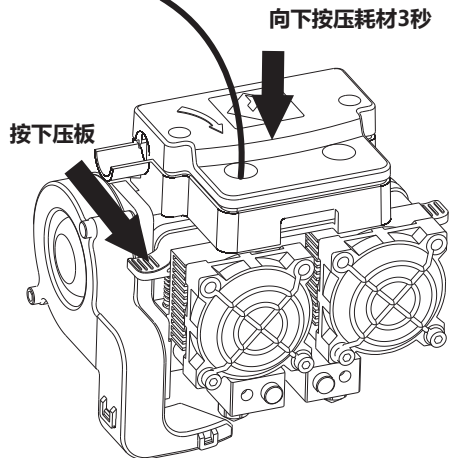
3. 按左喷头退丝为例，点击[左喷头退丝]。

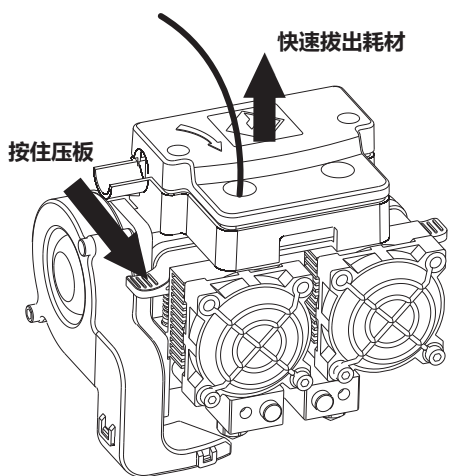


4. 喷头开始加热。



5. 喷头加热到预定温度后开始退丝，按下喷头侧边的压板，同时向下按压耗材3秒，直到看到耗材从喷嘴被挤出。





6. 快速垂直拔出。点击[完成]返回上一级，
点击返回键返回首界面。



YouTube



优酷自频道

Scan QR to Get More
After-Sales Support
扫描二维码获得更多售后支持



After-Sales Service: support@ff3dp.com

售后专线 : support@ff3dp.com

Amazon.com orders only: 597891915@qq.com

Tel: +86 579 82273989 Web: www.flashforge.com Add: 2/F, No.518, Xianyuan Road, Jinhua, Zhejiang, China
电话 : 4008866023 官方网站 : www.sz3dp.com 地址 : 浙江省金华市仙源路518号